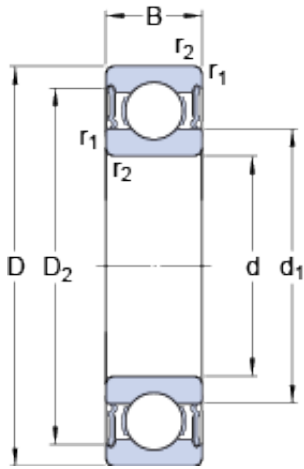




## China 6205 2rs Bearing Supplier



6311-2RS1 Bearing 2D drawings and 3D CAD models

SKF 6311-2RS1 6311-2RS C3 Deep Groove Ball Bearing Agricultural Machinery Ball Bearing 6308 6309 6310 2RS Zz C3

Bearing No. 6311-2RS1

Size	120x55x29 mm
Bore Diameter	120 mm
Outer Diameter	55 mm
Width	29 mm
d	55 mm
D	120 mm
B	29 mm
d <sub>1</sub>	75.34 mm
D <sub>2</sub>	103.7 mm
r <sub>1,2</sub> - min.	2 mm
d <sub>a</sub> - min.	66 mm
d <sub>a</sub> - max.	75.2 mm
D <sub>a</sub> - max.	109 mm
r <sub>a</sub> - max.	2 mm
Basic dynamic load rating - C	74.1 kN
Basic static load rating - C <sub>0</sub>	45 kN
Fatigue load limit - P <sub>u</sub>	1.9 kN
Limiting speed	3800 r/min
Calculation factor - k <sub>r</sub>	0.03
Calculation factor - f <sub>0</sub>	13.1
Category	Single Row Ball Bearings
Inventory	0.0
Manufacturer Name	SKF



## China 6205 2rs Bearing Supplier

Minimum Buy Quantity	N/A
Weight / Kilogram	1.418
EAN	7316570437669
Product Group	B00308
Enclosure	2 Seals
Precision Class	ABEC 1   ISO P0
Maximum Capacity / Filling Slot	No
Rolling Element	Ball Bearing
Snap Ring	No
Internal Special Features	No
Cage Material	Steel
Enclosure Type	Contact Seal
Internal Clearance	C0-Medium
Inch - Metric	Metric
Long Description	55MM Bore; 120MM Outside Diameter; 29MM Outer Race Diameter; 2 Seals; Ball Bearing; ABEC 1   ISO P0; No Filling Slot; No Snap Ring; No Internal Special Features
Category	Single Row Ball Bearing
UNSPSC	31171504
Harmonized Tariff Code	8482.10.50.68
Noun	Bearing
Keyword String	Ball
Manufacturer URL	<a href="http://www.skf.com">http://www.skf.com</a>
Manufacturer Item Number	6311-2RS1
Weight / LBS	3.13
Outer Race Width	1.142 Inch   29 Millimeter
Outside Diameter	4.724 Inch   120 Millimeter
Bore	2.165 Inch   55 Millimeter
d <sub>1</sub>	75.34 mm



## China 6205 2rs Bearing Supplier

$D_2$	103.7 mm
$r_{1,2}$ min.	2 mm
$d_a$ min.	66 mm
$d_a$ max.	75.2 mm
$D_a$ max.	109 mm
$r_a$ max.	2 mm
Basic dynamic load rating C	74.1 kN
Basic static load rating $C_0$	45 kN
Fatigue load limit $P_u$	1.9 kN
Calculation factor $k_r$	0.03
Calculation factor $f_0$	13.1
Mass bearing	1.41 kg